

Features:

- Combined AC and emergency LED driver in one compact
- UL 1310 certified CSA22-2 NO. 223-M91 compliant
- Built-in lithium battery
- Battery protections: over charge protection, over discharge protection, short circuit protection
- Indicator shows a variety working modes
- The batteries Meet 500 cycles of standard CH and standard DCH
- RoHS compliant
- No flicker



RoHS

Specifications:

UL Recognized

Factory Installation Only
(Indoor and Damp)

Universal Input Voltage

100-277Vac, 50/60Hz

Output Voltage

30-42Vdc

Operating Ambient Temp Range

0°C to +40°C (32°F to 104°F)

Full Warranty

5 Years

Dimensions

11.77"x3.81"x1.41" (299mmx97mmx36mm)

Weigh

2.75lbs(1.25kg)

AC Operation:

Output Current (Optional)

800-1750mA

AC Input Current

0.9A max.

Maximum Input Power

75W max.

Power Factor@Max Load

>0.90

Surge Protection

(Combi-Wave, KV)

1.0KV

Dimming

0-10Vdc, PWM

Emergency Operation:

AC Input Current

90mA Maximum(Charging Only)

AC Input Power Rating

6.0W Maximum(Charging Only)

Recharge Time

≥24 Hours

Battery

lithium battery

Battery Charging Current

250mA max.

Output Current(Optional)

270-550mA

IlluminationTime

90 minutes Emergency

Test Switch Charging Indicator Light

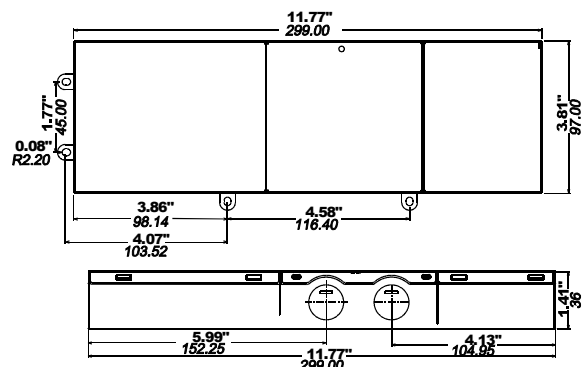
Illuminated Test Switch

Output Power (Emergency)

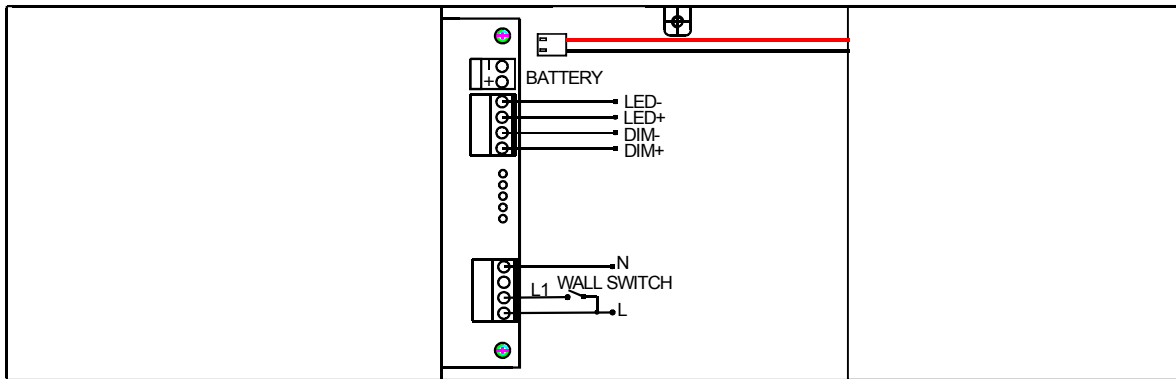
Driver and Emergency Correspond Form					
AC Input Power	30W	40W	50W	60W	75W
Emergency Power	10Wmax.	12Wmax.	15Wmax.	18Wmax.	20Wmax.

Dimensions:

Case-11.77"x3.81"x1.41" (299mmx97mmx36mm)



Wiring Diagram:

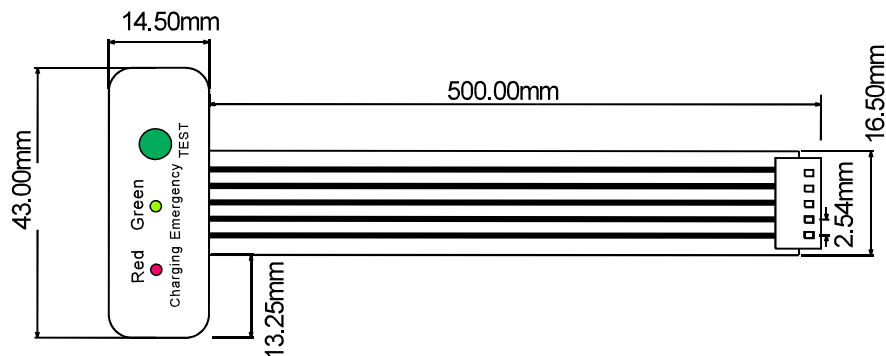


NOTE:WALL SWITCH:Control switch light.

1. The power supply cannot insert the battery packet into the mainboard connector before installation; It has been installed to allow the battery package to be inserted into the mainboard connector before the AC voltage is completed.
2. Test accessory leads-observe proper polarity wiring.

Display Status:

Operating Condition	Red	Green
Charging	ON	OFF
Emergency	OFF	ON



Safety Instructions:

- Risk of fire or electric shock. Luminaire wiring and electrical parts may be damaged when drilling for installation of LED emergency driver. Check for enclosed wiring and components.
- Risk of fire or electric shock. This LED emergency driver installation requires knowledge of luminaires electrical systems. If not qualified, do not attempt installation. Contact a qualified electrician.
- Before installing, make certain the AC power to the fixture is off.
- The electrical rating of this product is 100-277Vac, Installer must confirm that there is 100-277Vac the fixture before installation.
- To prevent electrical shock, only mate unit connector after installation is complete and before the AC power to the fixture is back on.
- Do not use outdoors.
- This LED emergency driver unit requires an un-switched AC power source of 100-277Vac, 50/60Hz. The AC driver must be on the same branch circuit as the LED emergency driver unit.
- Do not let power supply cords touch hot surfaces.
- Do not mount near gas or electric heaters.
- Do not join battery pack connector until all other wiring is complete and AC power is on.