

Features:

- Meet most of safety standards for lighting
- Standard EN61347-1、EN61347-2-7、EN61347-2-13
- Built-in lithium battery
- Selectable emergency power,50%,75%,100%
- Battery protections : over charge protection、 over discharge protection 、 short circuit protection
- Constant output power(Auto-sensing output within each range)
- Intelligent emergency automatic detection function
- The batteries Meet 300 cycles of standard CH and standard DCH
- Indicator shows a variety working modes
- RoHS compliant



CE RoHS

Specifications:

Universal Input Voltage
100–240Vac, 50/60Hz

AC Input Current
100mA max.

AC Input Power Rating
7.0W max.

Output Current and Voltage
310-600mA 25–48Vdc

Output Power
15W max.

Emergency Time
≥3H

Full Warranty
3 Years

Test Switch Indicator Light
Illuminated Test Switch,
Red, Green, Yellow indicator Light

Battery
Li-ion battery-14.8V/4000mA

Battery Charging Current
250mA

Charging Time
≥24Hours

Temperature Rating (Ambient)
0°C to +40°C (32°F to 104°F)

Dimensions
8.66"x3.9"x1.18" (220mmx100mmx30mm)

Weight
1.4lbs(0.64kg)

Operation:

AC Operation:

AC power is present, The LED load from the LED driver is normal power supply, AC LED driver output current can not exceed 4A, the emergency driver is charging in a standby mode. The green LED light flashes indicates that it is charging. The green LED light on indicates that it is full charged. After the AC power supply working 48H, The emergency LED drive will automatically from AC power working switch into emergency working mode for 30S every month and then automatically backs to the working mode of the AC power supply, the AC power supply works per year for automatically from the AC power mode backs to the working emergency mode Until the emergency discharge is completed.

Emergency operation:

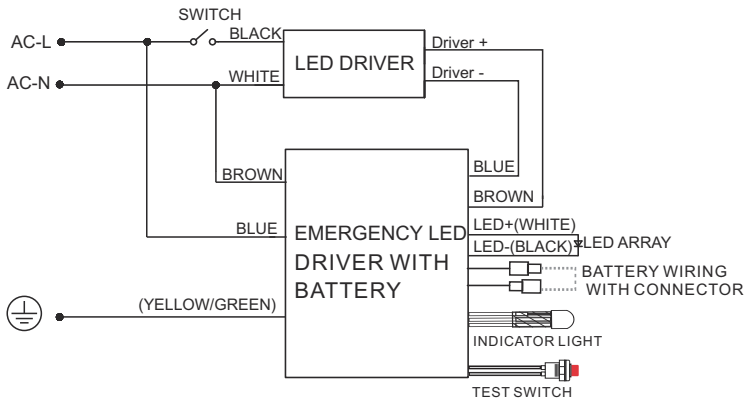
When the AC power goes out, The emergency driver detects the AC power outage and automatically switch to the working emergency mode. The red LED light on indicates that it is discharging, the red LED flashes to indicate low battery power. The red LED light off indicates that the discharge is complete. When the AC power is restored, The emergency driver backs to AC power working and starts re-charging.

Malfunction operation:

When the emergency LED driver fault, the yellow LED on.

Emergency LED Driver 15 Watts Constant Output Power BLD-BM20D-480800-15W

Wiring Diagram:



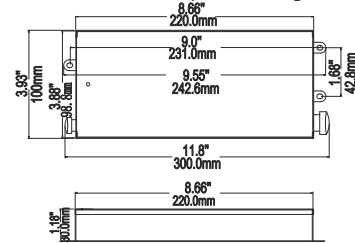
1. DO NOT MATE CONNECTOR UNTIL INSTALLATION IS COMPLETE AND AC POWER IS SUPPLIED.
2. TEST ACCESSORY LEADS-OBSERVE PROPER POLARITY WIRING.

Dial switch code selection

Emergency Power				
Power	Voltage	1	2	
100%	25-48Vdc	OFF	OFF	
75%		OFF	ON	
50%		ON	OFF	

Dimensions:

Case-220mmx100mmx30mm (mounting center-231mm)



IMPORTANT SAFEGUARDS

When using electrical equipment, basic safety precautions should always be followed including the following:

READ AND FOLLOW ALL SAFETY INSTRUCTIONS.

- Risk of fire or electric shock. Luminaire wiring and electrical parts may be damaged when drilling for installation of LED Emergency Backup. Check for enclosed wiring and components.
- Risk of fire or electric shock. This LED Emergency Backup installation requires knowledge of luminaires electrical systems. If not qualified, do not attempt installation. Contact a qualified electrician.
- Before installing, make certain the AC power to the fixture is off.
- The electrical rating of this product is 100-240Vac. Installer must confirm that there is 100-240Vac the fixture before installation.
- To prevent electrical shock, only mate unit connector after installation is complete and before the AC power to the fixture is back on.
- Do not use outdoors.
- This LED Emergency Backup unit requires an un-switched AC power source of 100-240Vac, 50/60Hz. The AC driver must be on the same branch circuit as the LED Emergency Backup unit.
- Do not let power supply cords touch hot surfaces.
- Do not mount near gas or electric heaters.
- Do not join battery pack connector until all other wiring is complete and AC power is on.
- The emergency LED driver is for use with grounded, UL listed LED luminaires, shall be enclosed by the LED luminaire and bonded to the grounding of LED luminaire.
- Verify that all replacement lamp types marked on the installed luminaire are also identified as suitable for use with this emergency battery pack.
- The battery pack is fixed by the screw and the indicator lamp is attached to the shell of the luminaire by 3M tape.
- Equipment should be mounted in locations and at heights where it will not be subjected to tampering by unauthorized personnel.
- The use of accessory equipment not recommended by the manufacturer may cause an unsafe condition.
- Do not use this equipment for other than its intended use.
- Use with grounded, UL Listed, dry or damp location rated fixtures.